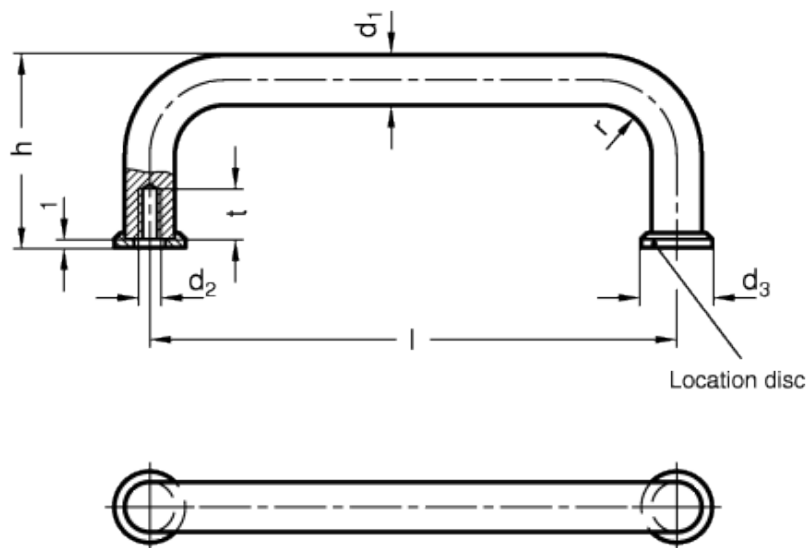


GN 425

Handles



technical informations

Material

Steel. Round cross section bar.

- Version CR: chrome-plated surface.
- Version BT: black-oxide surface.
- Version SW: RAL 9005 black, matte finish, epoxy resin coating.
- Version RS: RAL 3000 red, matte finish, epoxy resin coating.

Assembly

Tapped blind holes.

Washers

Zinc-plated steel, supplied not assembled.

Special executions on request (For sufficient quantities)

Different lengths.

Features and applications

Cabinet "U" handles GN 425 are supplied with two location discs. They guarantee a perfect location even with large holes in the cabinet. The discs are loosely enclosed.

The chrome-plated design is only conditionally suitable for outdoor use. The stainless steel design version should be given preference.

The manufacturing process (bending) allows the production of special lengths in relatively small quantities.

Standard Elements	Main dimensions					Mounting holes		Weight
Description	d ₁	l ±0.25	d ₃	h	r	d ₂	t _{min.}	g
GN 425-8-55*-CR	8	55*	12	35	10	M4	8	40
GN 425-8-55*-BT	8	55*	12	35	10	M4	8	40
GN 425-8-55*-SW	8	55*	12	35	10	M4	8	40
GN 425-8-55*-RS	8	55*	12	35	10	M4	8	40
GN 425-8-64-CR	8	64	12	35	10	M4	8	44
GN 425-8-64-BT	8	64	12	35	10	M4	8	44
GN 425-8-64-SW	8	64	12	35	10	M4	8	44
GN 425-8-64-RS	8	64	12	35	10	M4	8	44
GN 425-8-88*-CR	8	88*	12	35	10	M4	8	53
GN 425-8-88*-BT	8	88*	12	35	10	M4	8	53
GN 425-8-88*-SW	8	88*	12	35	10	M4	8	53
GN 425-8-88*-RS	8	88*	12	35	10	M4	8	53
GN 425-8-96-CR	8	96	12	35	10	M4	8	57
GN 425-8-96-BT	8	96	12	35	10	M4	8	57
GN 425-8-96-SW	8	96	12	35	10	M4	8	57
GN 425-8-96-RS	8	96	12	35	10	M4	8	57
GN 425-8-100-CR	8	100	12	35	10	M4	8	60
GN 425-8-100-BT	8	100	12	35	10	M4	8	60
GN 425-8-100-SW	8	100	12	35	10	M4	8	60
GN 425-8-100-RS	8	100	12	35	10	M4	8	60
GN 425-8-120-CR	8	120	12	35	10	M4	8	66
GN 425-8-120-BT	8	120	12	35	10	M4	8	66
GN 425-8-120-SW	8	120	12	35	10	M4	8	66
GN 425-8-120-RS	8	120	12	35	10	M4	8	66
GN 425-8-128-CR	8	128	12	35	10	M4	8	36
GN 425-8-128-BT	8	128	12	35	10	M4	8	36
GN 425-8-128-SW	8	128	12	35	10	M4	8	36
GN 425-8-128-RS	8	128	12	35	10	M4	8	36
GN 425-10-88-CR	10	88	15	43	12	M5	12	91
GN 425-10-88-BT	10	88	15	43	12	M5	12	91
GN 425-10-88-SW	10	88	15	43	12	M5	12	91
GN 425-10-88-RS	10	88	15	43	12	M5	12	91
GN 425-10-100*-CR	10	100*	15	43	12	M5	12	98
GN 425-10-100*-BT	10	100*	15	43	12	M5	12	98

GN 425-10-100*-SW	10	100*	15	43	12	M5	12	98
GN 425-10-100*-RS	10	100*	15	43	12	M5	12	98
GN 425-10-120*-CR	10	120*	15	43	12	M5	12	109
GN 425-10-120*-BT	10	120*	15	43	12	M5	12	109
GN 425-10-120*-SW	10	120*	15	43	12	M5	12	109
GN 425-10-120*-RS	10	120*	15	43	12	M5	12	109
GN 425-10-180*-CR	10	180*	15	43	12	M5	12	146
GN 425-10-180*-BT	10	180*	15	43	12	M5	12	146
GN 425-10-180*-SW	10	180*	15	43	12	M5	12	146
GN 425-10-180*-RS	10	180*	15	43	12	M5	12	146
GN 425-10-200-CR	10	200	15	43	12	M5	12	161
GN 425-10-200-BT	10	200	15	43	12	M5	12	161
GN 425-10-200-SW	10	200	15	43	12	M5	12	161
GN 425-10-200-RS	10	200	15	43	12	M5	12	161
GN 425-10-235*-CR	10	235*	15	43	12	M5	12	183
GN 425-10-235*-BT	10	235*	15	43	12	M5	12	183
GN 425-10-235*-SW	10	235*	15	43	12	M5	12	183
GN 425-10-235*-RS	10	235*	15	43	12	M5	12	183
GN 425-12-125-CR	12	125	-	51	14	M6	12	-
GN 425-12-125-BT	12	125	-	51	14	M6	12	-
GN 425-12-125-SW	12	125	-	51	14	M6	12	-
GN 425-12-125-RS	12	125	-	51	14	M6	12	-
GN 425-12-160-CR	12	160	-	51	14	M6	12	-
GN 425-12-160-BT	12	160	-	51	14	M6	12	-
GN 425-12-160-SW	12	160	-	51	14	M6	12	-
GN 425-12-160-RS	12	160	-	51	14	M6	12	-
GN 425-12-200-CR	12	200	-	51	14	M6	12	-
GN 425-12-200-BT	12	200	-	51	14	M6	12	-
GN 425-12-200-SW	12	200	-	51	14	M6	12	-
GN 425-12-200-RS	12	200	-	51	14	M6	12	-
GN 425-12-250-CR	12	250	-	51	14	M6	12	-
GN 425-12-250-BT	12	250	-	51	14	M6	12	-
GN 425-12-250-SW	12	250	-	51	14	M6	12	-
GN 425-12-250-RS	12	250	-	51	14	M6	12	-
GN 425-16-160-CR	16	160	-	59	18	M6	12	-
GN 425-16-160-BT	12	160	-	51	14	M6	12	-
GN 425-16-160-SW	16	160	-	59	18	M6	12	-
GN 425-16-160-RS	16	160	-	59	18	M6	12	-
GN 425-16-200-CR	16	200	-	59	18	M6	12	-
GN 425-16-200-BT	16	200	-	59	18	M6	12	-
GN 425-16-200-SW	16	200	-	59	18	M6	12	-
GN 425-16-200-RS	16	200	-	59	18	M6	12	-
GN 425-16-250-CR	16	250	-	59	18	M6	12	-
GN 425-16-250-BT	16	250	-	59	18	M6	12	-

GN 425-16-250-SW	16	250	-	59	18	M6	12	-
GN 425-16-250-RS	16	250	-	59	18	M6	12	-
GN 425-16-300-CR	16	300	-	59	18	M6	12	-
GN 425-16-300-BT	16	200	-	59	18	M6	12	-
GN 425-16-300-SW	16	300	-	59	18	M6	12	-
GN 425-16-300-SR	16	300	-	59	18	M6	12	-

* suitable for 19" rack and enclosure layout



ELESA and GANTER models all rights reserved in accordance with the law. Always mention the source when reproducing our drawings.

STANDARD MACHINE ELEMENTS WORLDWIDE